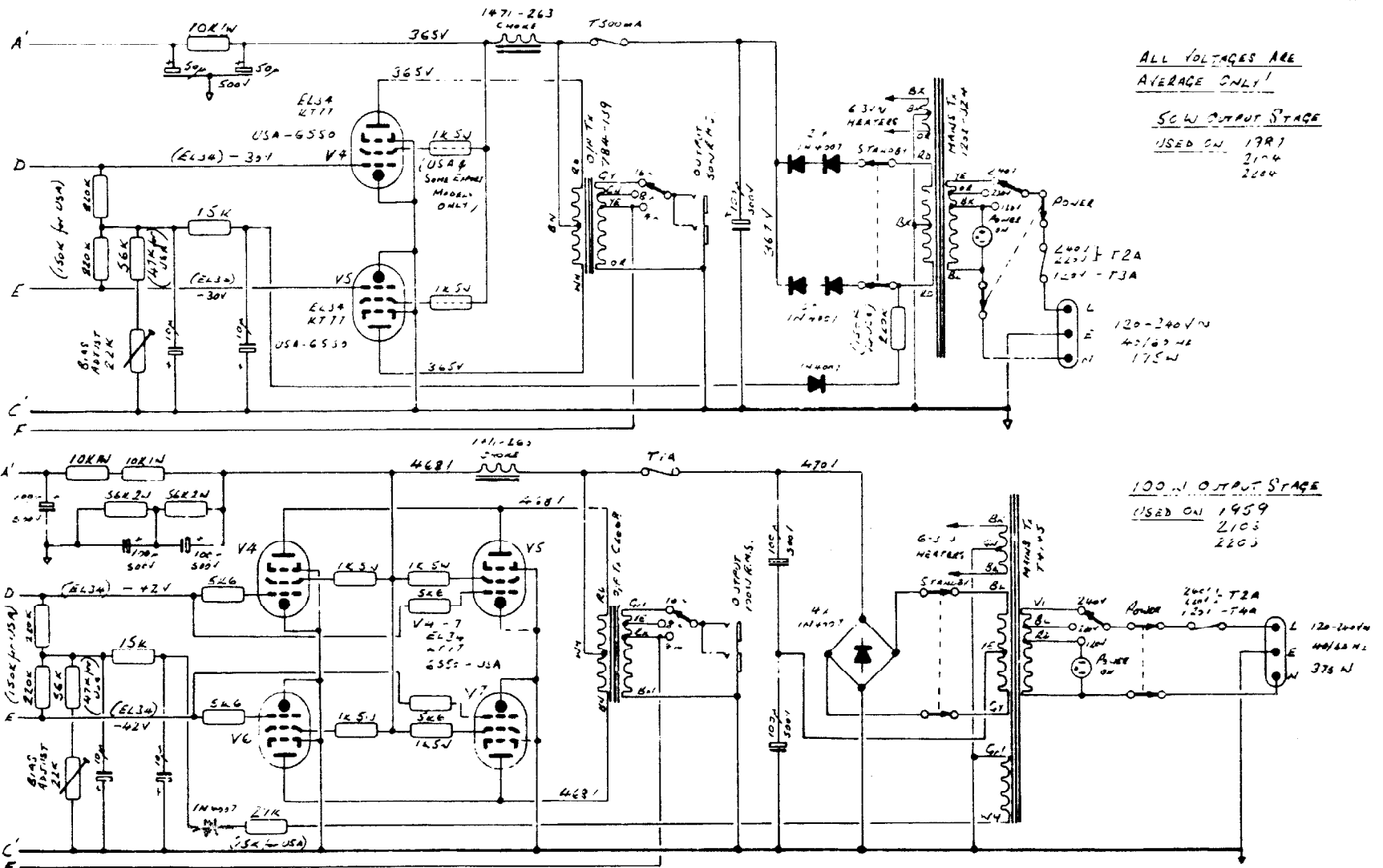


JCM 800 LEAD (50w & 100w PWR)

Marshall

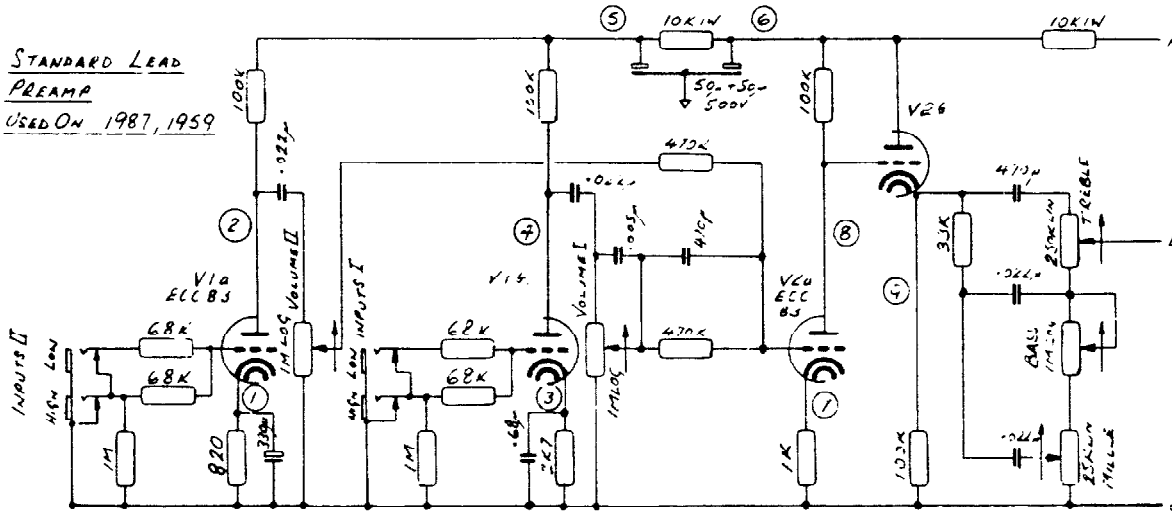


Marshall JCM 800 LEAD SERIES 50W & 100W POWER CIRCUIT DIAGRAM - STANDARD & MASTER VOLUME

JCM 800 LEAD PREAMP

Marshall

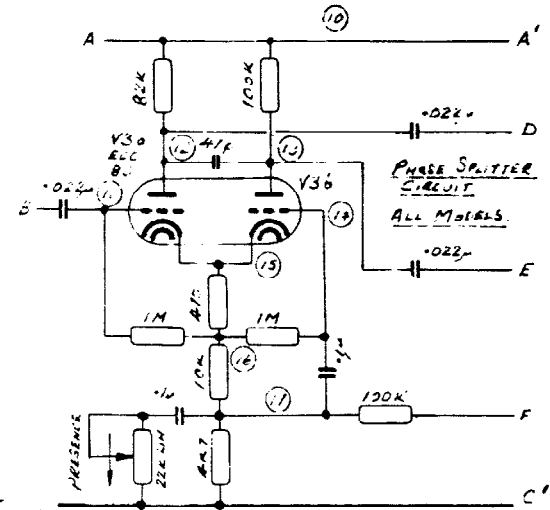
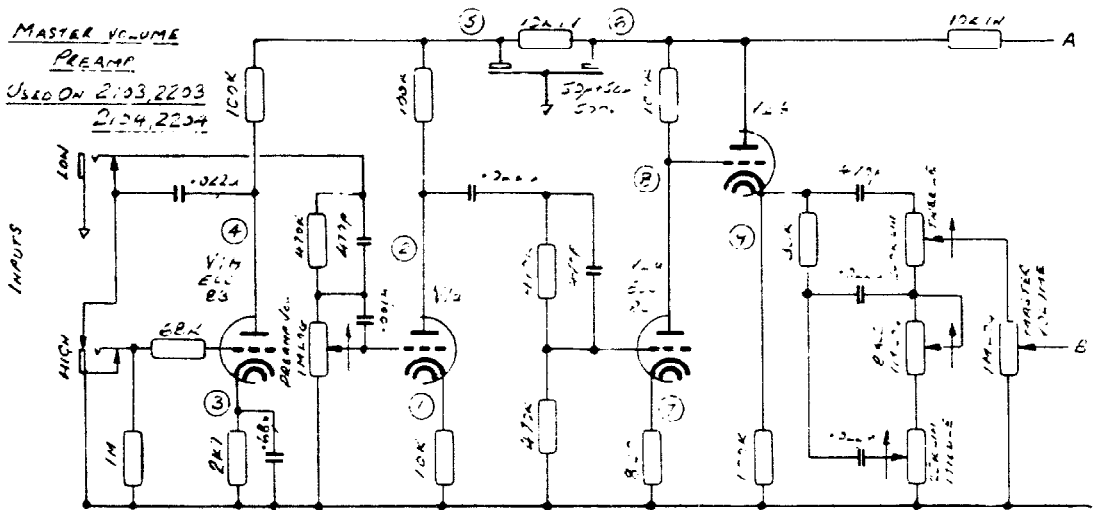
STANDARD LEAD
PREAMP
USED ON 1987, 1959



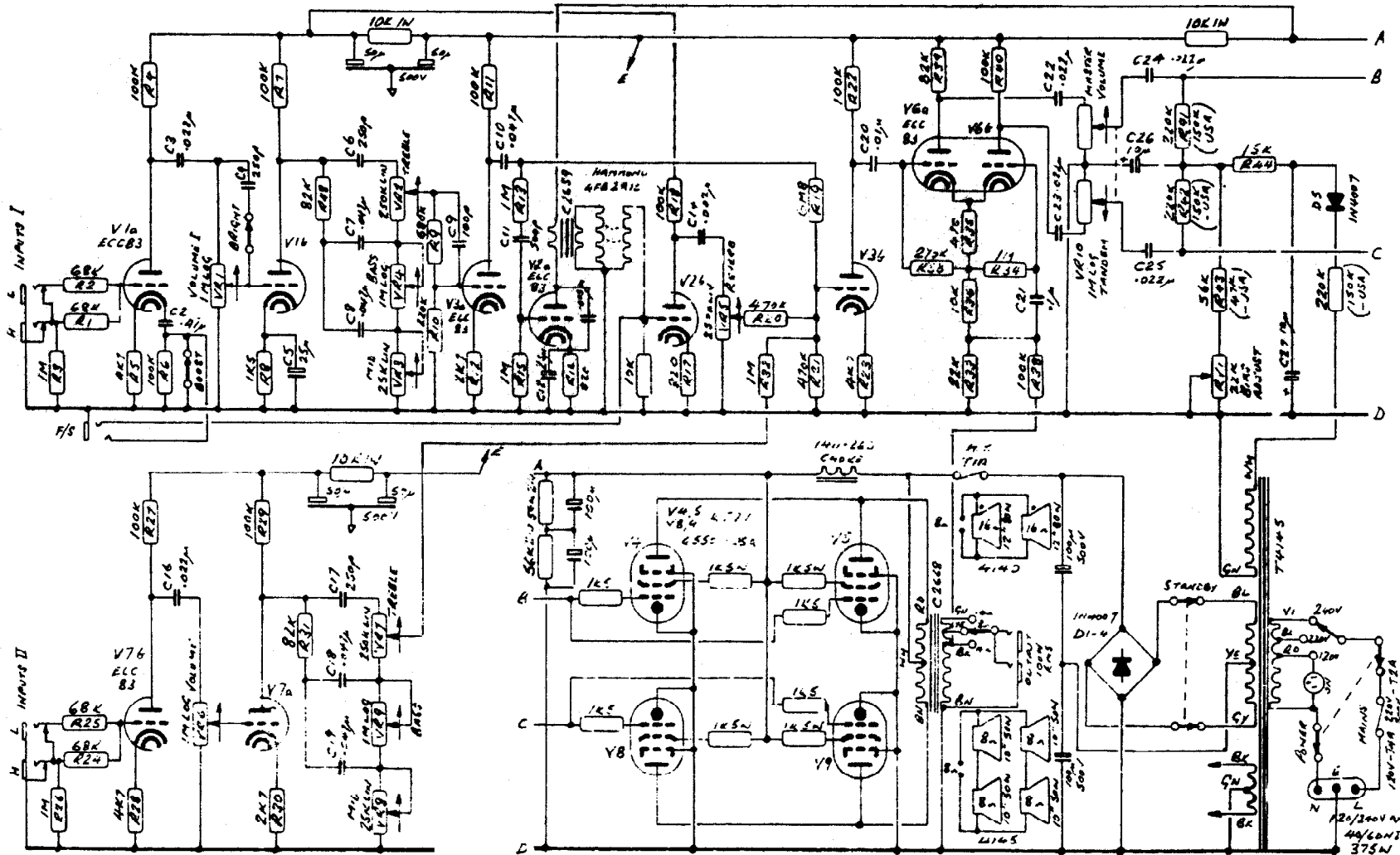
No	50W		100W	
	STANDARD	MV	STANDARD	MV
1	0.8V	2.3V	1V	2.6V
2	135V	230V	150V	250V
3	1.63V	1.6V	1.7V	1.75V
4	190V	192V	200V	210V
5	250V	256V	260V	280V
6	260V	264V	275V	290V
7	1V	0.9V	1.2V	1V
8	145V	150V	160V	165V
9	141V	152V	162V	167V
10	275V	300V	320V	330V
11	23V	23V	24V	24V
12	185V	190V	205V	220V
13	175V	180V	190V	210V
14	24V	24V	25V	25V
15	37.5V	37.5V	37.5V	37.5V
16	36.5V	36.5V	36.5V	36.5V
17	11V	11V	11V	11V

NOTE: ALL VOLTAGES ARE AVERAGES ONLY

MASTER VOLUME
PREAMP
USED ON 2193, 2203
2134, 2234



Marshall JCM 800 LEAD SERIES 50W & 100W PREAMP CIRCUIT DIAGRAM - STANDARD & MASTER VOLUME



Marshall JCM 800 Series Models 4140, 4145 REVERB AMP - CIRCUIT DIAGRAM

1 30-4-81 80
 For Marshall Amps visit
 www.marshall.com
 ENGLAND